

### 1/11 Inch Endoscope Lens



You are welcomed to come to our factory to buy the latest selling, low price, and high-quality 1/11 Inch Endoscope Lens. Our endoscopic lens has the advantages of stable optical performance and high cost performance. It is customized according to the viewing angle, diameter, size and optical parameters of the endoscopic lens according to the customer's needs, so as to meet the needs of customers for endoscopic lenses in different medical fields.

Our endoscopic lens are used in medical endoscopic lens. Endoscopic lens are commonly used in clinical departments such as otolaryngology, urology, gynecology, ophthalmology, sports medicine, and plastic surgery. Endoscopic lens match hysteroscopes, abdominal cavity Mirrors, arthroscopes, otolaryngoscopes, intervertebral foramenoscopes, ureteroscopes, pentagonoscopes, hysteroscopes, laparoscopes, gastroenteroscopes, and endoscopic lens are important endoscopic components.

200 degree 1/4 "infrared fisheye 2million pixel lens, ttl1.5 ultra short, monitoring panoramic lens

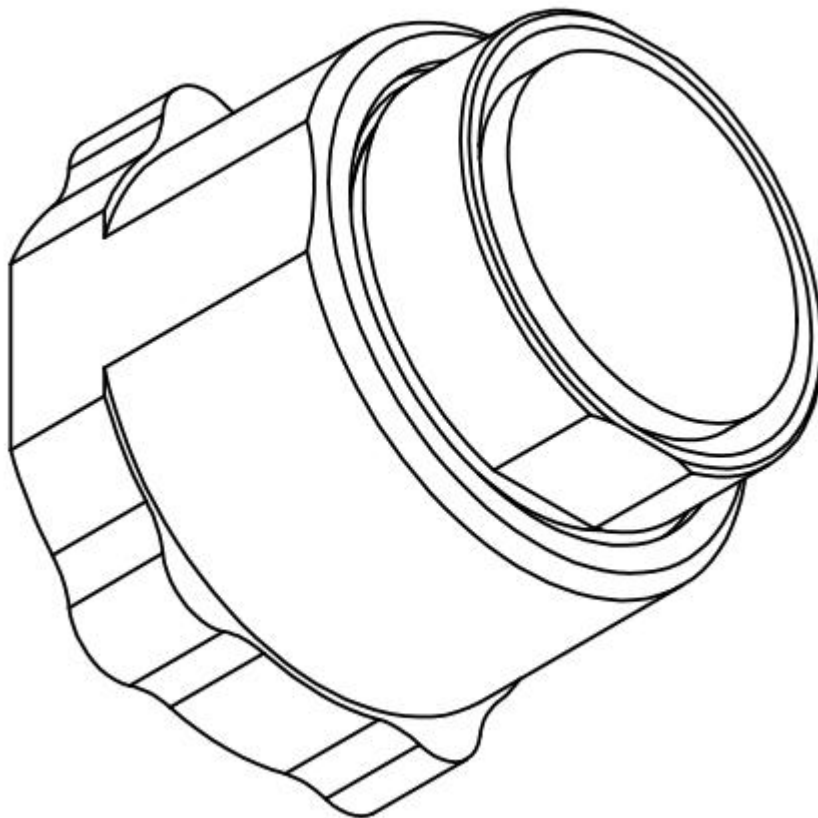
The following is the introduction of high quality 1/11 Inch Endoscope Lens, hoping to help you better understand 1/11 Inch Endoscope Lens. Welcome new and old customers to continue to cooperate with us to create a better future!

The company has always been oriented by customer demand and respect for talents, constantly improve their strength, improve service level and quality. With many European and American, Asian and domestic customers, we have established long-term good relationship with common progress. Sincerely expect to join hands with you to create the future.

#### Parameters

1	Sensor	1/11"
2	Max.lc	02.1
3	EFL	1.35±5%
4	Mechanical TTL	2.75±0.2
5	Mechanical BFL	0.63±0.15

6	F#	5.6±5%
7	DOF	5-50
8	DFOV(@IC1.71)	70°10%
9	HFOV(@IC1.45)	59°±10%
10	VFOV(@ICO.91)	37°±10%
11	TV distortion	<-7%
12	CRA	<32°
13	Thread	M2.5×P0.15
14	Barrel Material	PC
15	Holder Material	PC
16	IR Cut Filter	650±10nm@T=50%



Exhibition and market distribution



[www.lensmanufacture.com](http://www.lensmanufacture.com)

We had taken part in IPS exhibition which was held in USA 2018, many vistors came our exhibition room for product information and we plan to participate such activities more often in the future!

Factory Site



Factory Interior

**Tel:+86-21-59963205**

**Email:megan@pulinglens.com**



Factory Interior

**Endoscope lens manufacturer integrating R&D, proofing and production**  
**A wide range of products are used in various electronic soft mirrors:**  
**Gastrointestinal mirror, five sense mirror**  
**Laryngoscope, bronchoscope**  
**Hysteroscope, cystoscope, etc**

1/6" 1/7.5" 1/9"  
1/11" 1/13" 1/18" .etc

**内窥镜镜头**



**胶囊外壳, 透明罩**  
Endoscope capsule shell, transparent cover

Certification

We have awarded the quantity certification of ISO9001 and we make sure that the products you purchased are produced, assembled in dust-free room and strictly inspected by QC!





[www.lensmanufacture.com](http://www.lensmanufacture.com)

**Tel:+86-21-59963205**

**Email:megan@pulinglens.com**